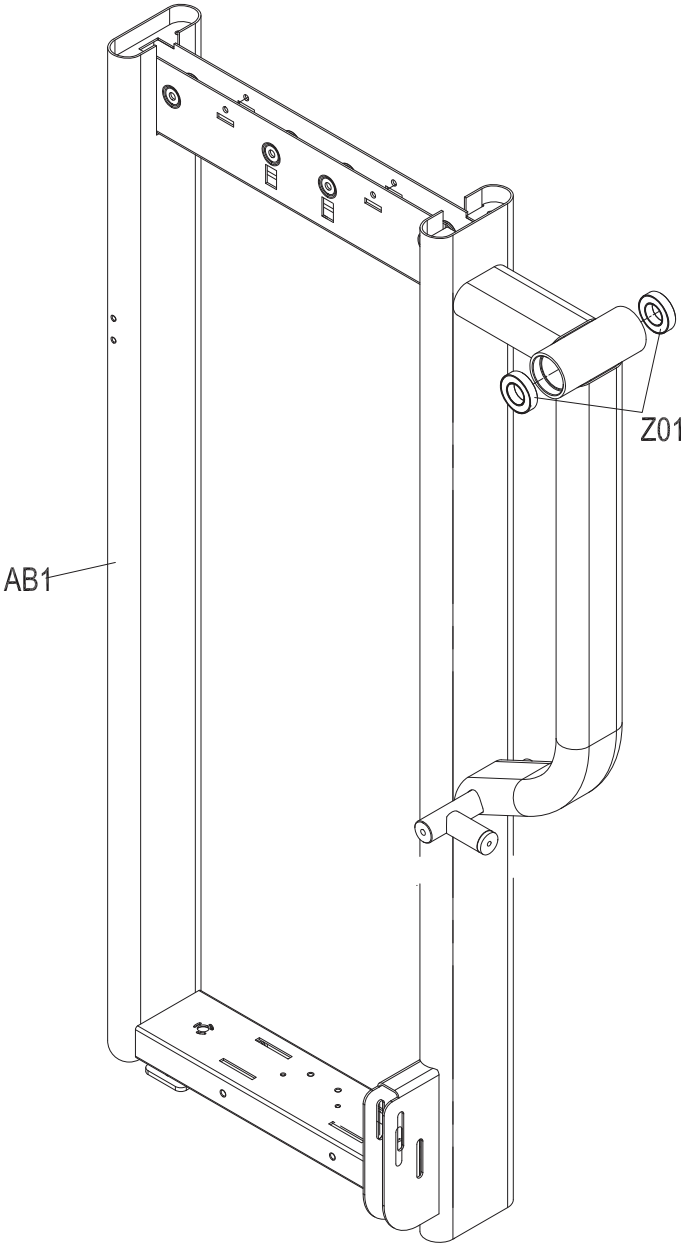
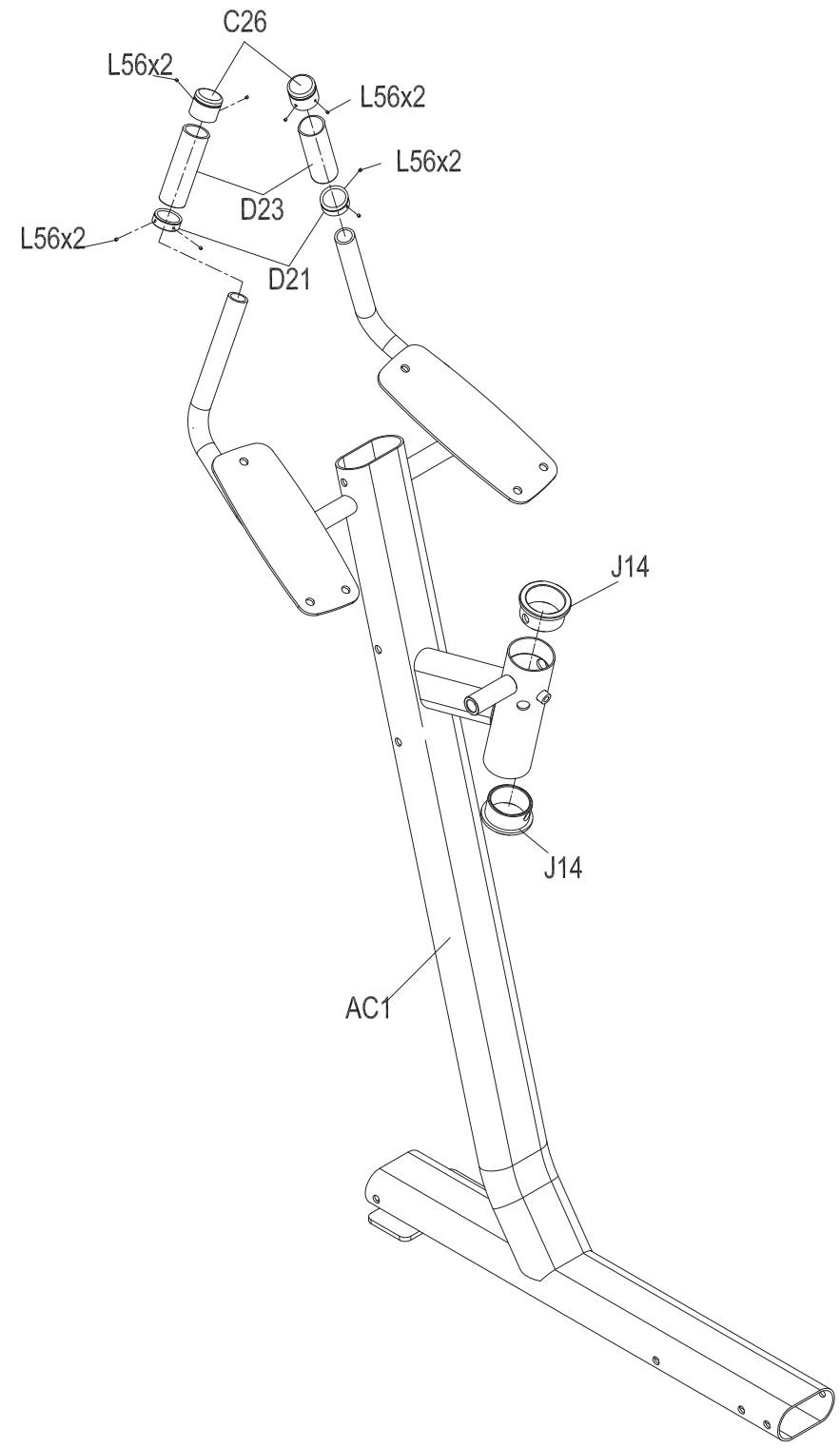




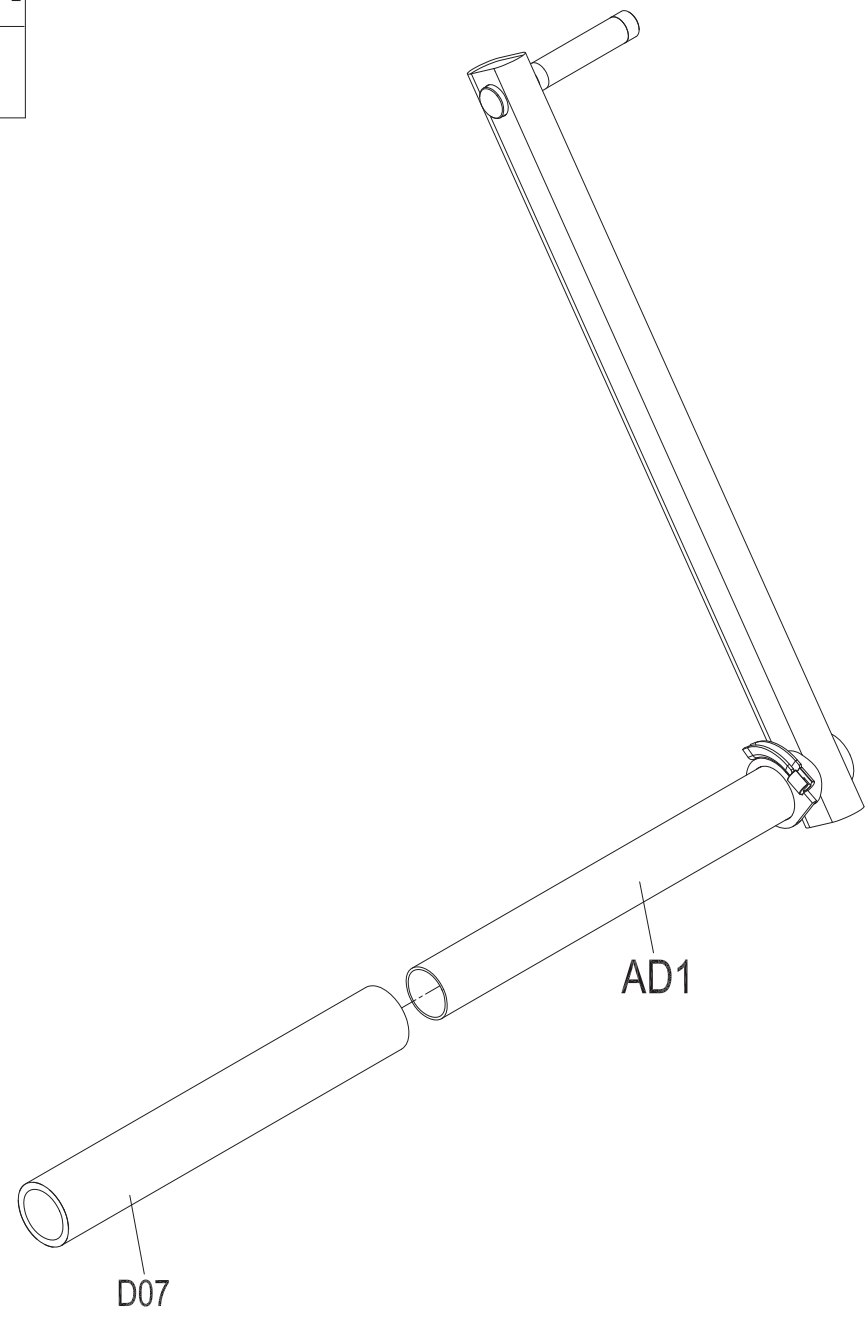
DRAWING NO			
PART NAME	Weight Stack		
PART NO	1000228771	REV	A
APPROVE	CINDY	DATE	2012106



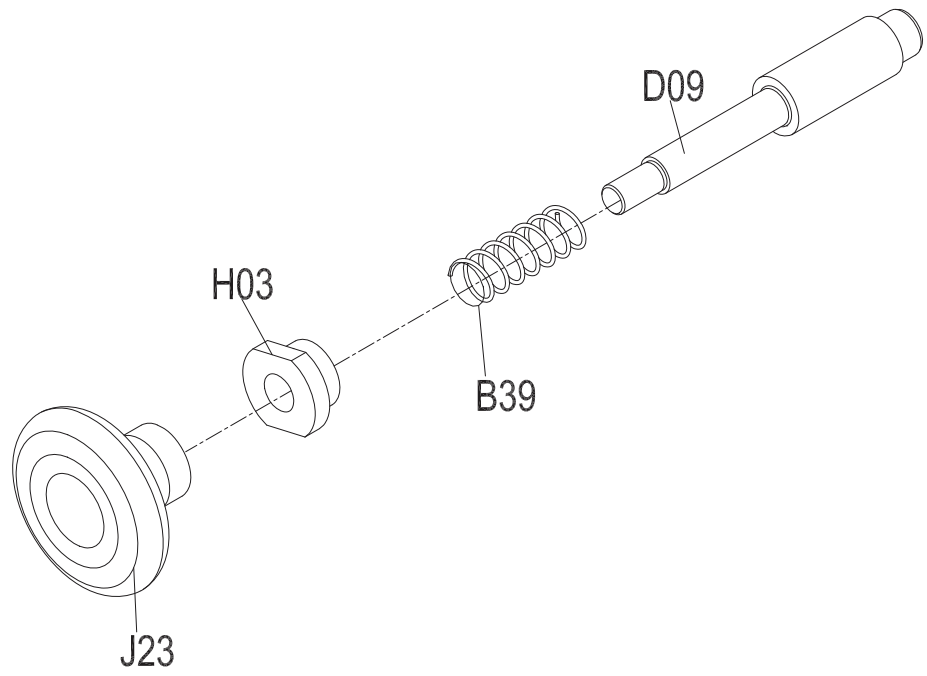
DRAWING NO			
PART NAME	User frame		
PART NO	1000228772	REV	A
APPROVE	<b>CINDY</b>	DATE	2012106



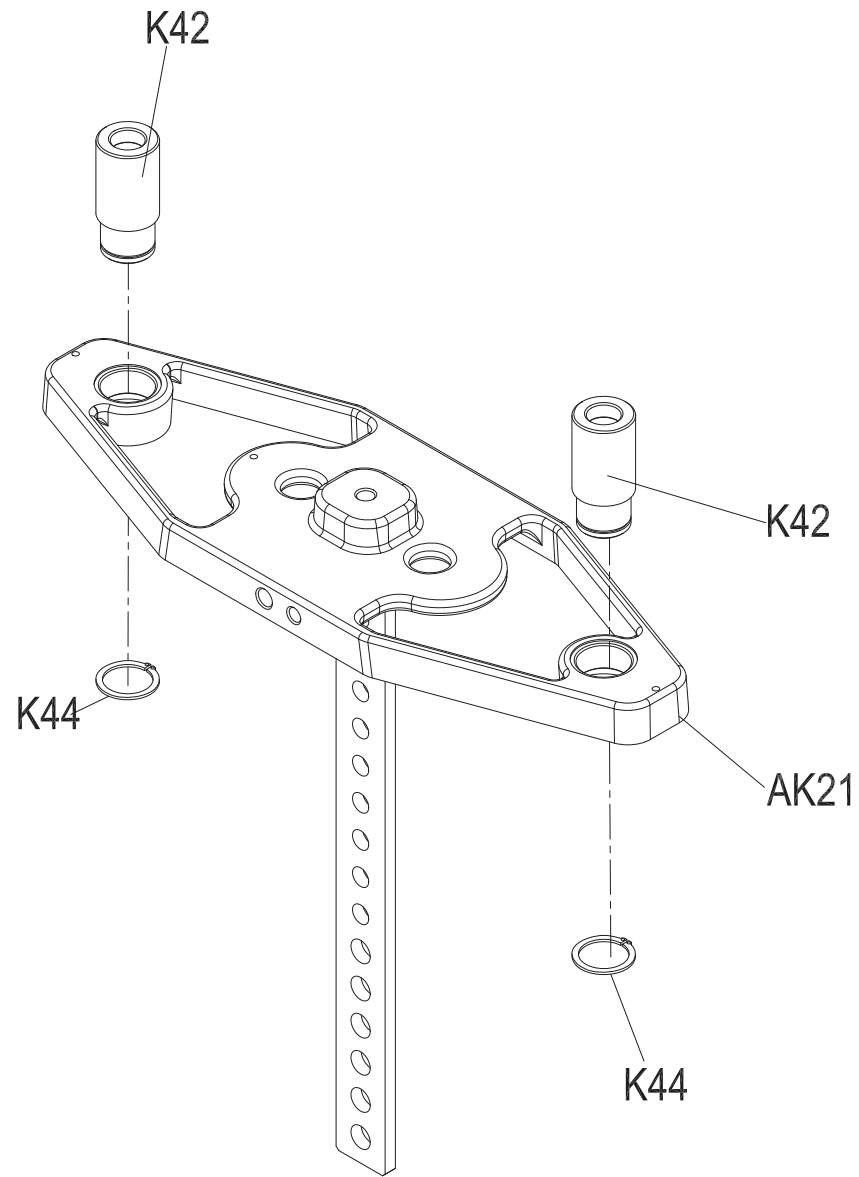
DRAWING NO			
PART NAME	Swing Arm		
PART NO	1000228773	REV	A
APPROVE	<b>CINDY</b>	DATE	2012106



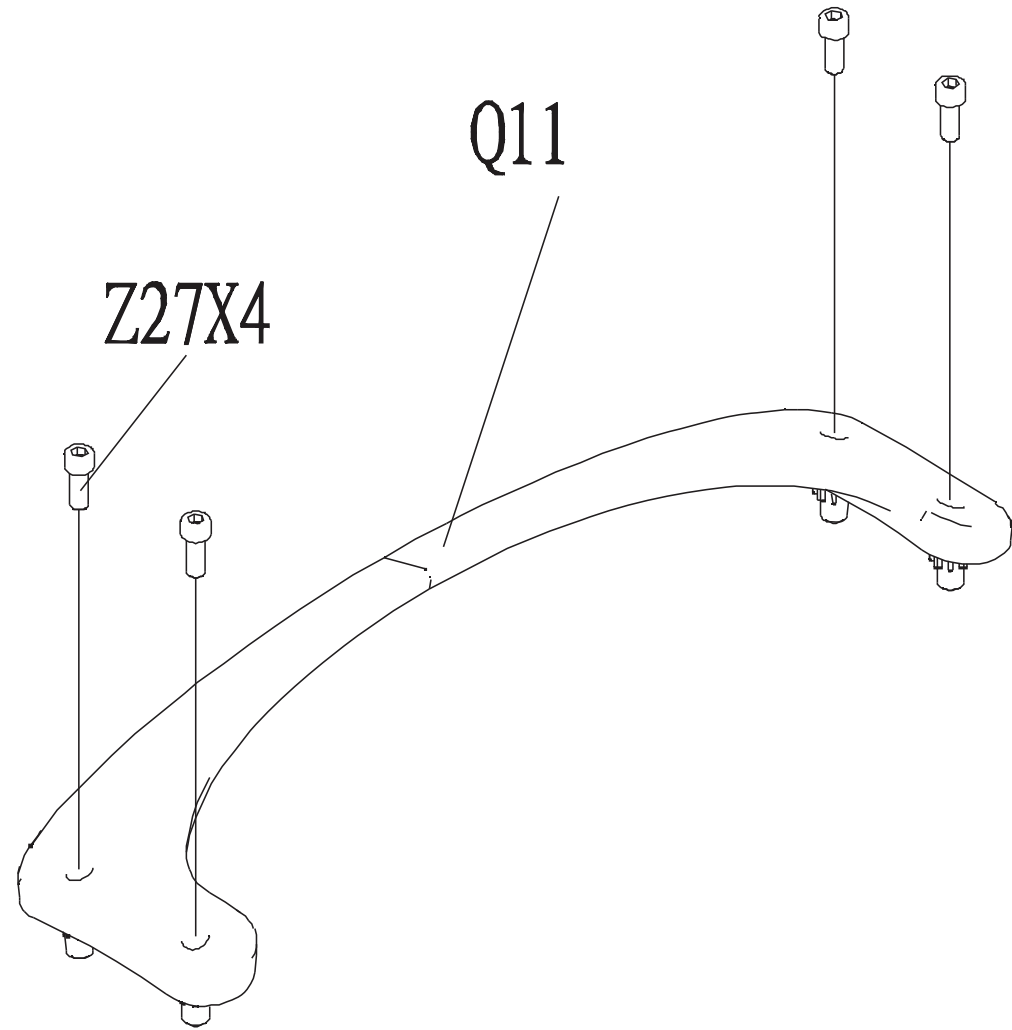
DRAWING NO			
PART NAME	Pull Pin		
PART NO	1000210472	REV	A
APPROVE	<b>CINDY</b>	DATE	2012106



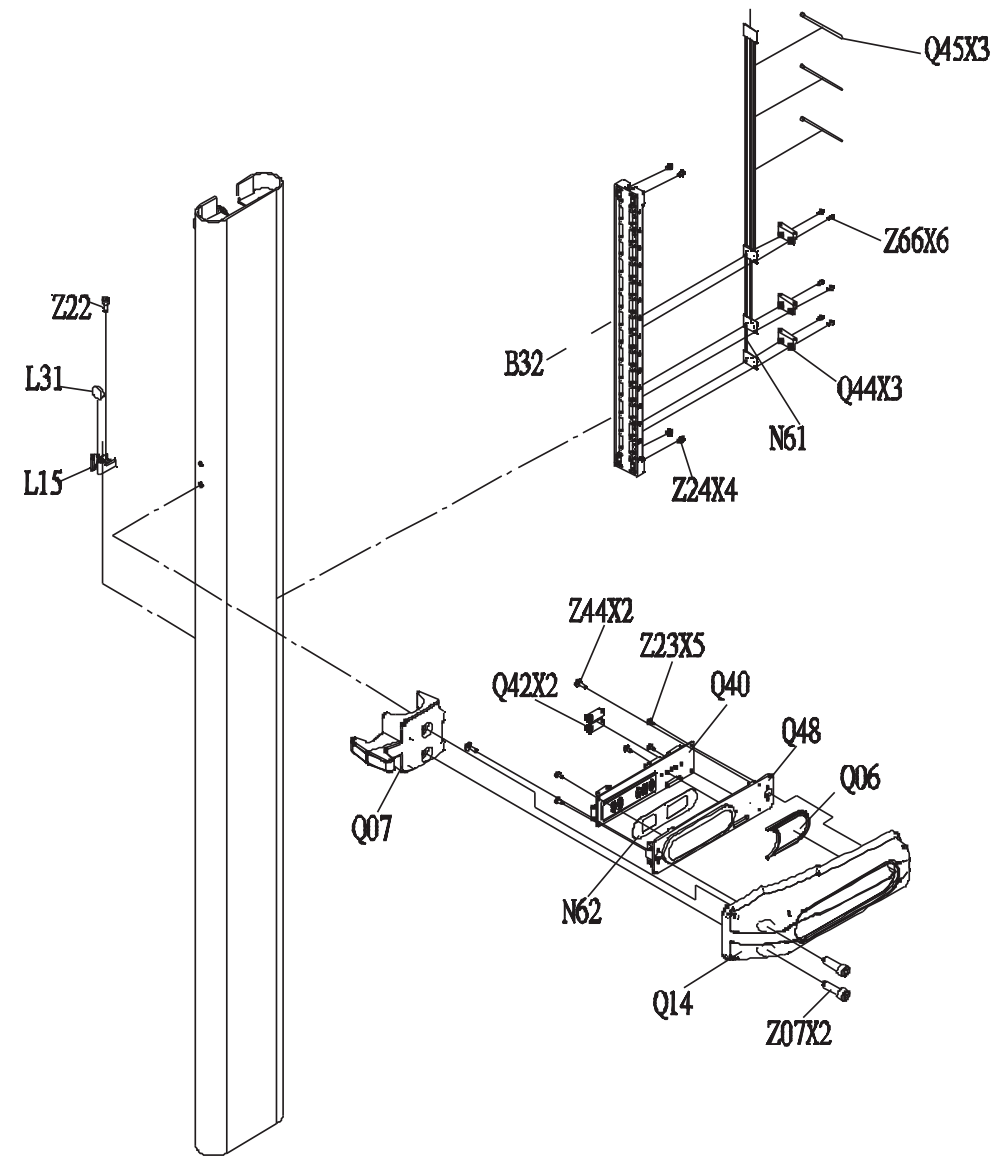
DRAWING NO			
PART NAME	Head Plate		
PART NO	1000207217	REV	A
APPROVE	CINDY	DATE	2012114



DRAWING NO	
PART NAME	SHIELD SET;U
PART NO	1000220477 <small>REV</small> A
APPROVE	PAUL
DATE	20120711

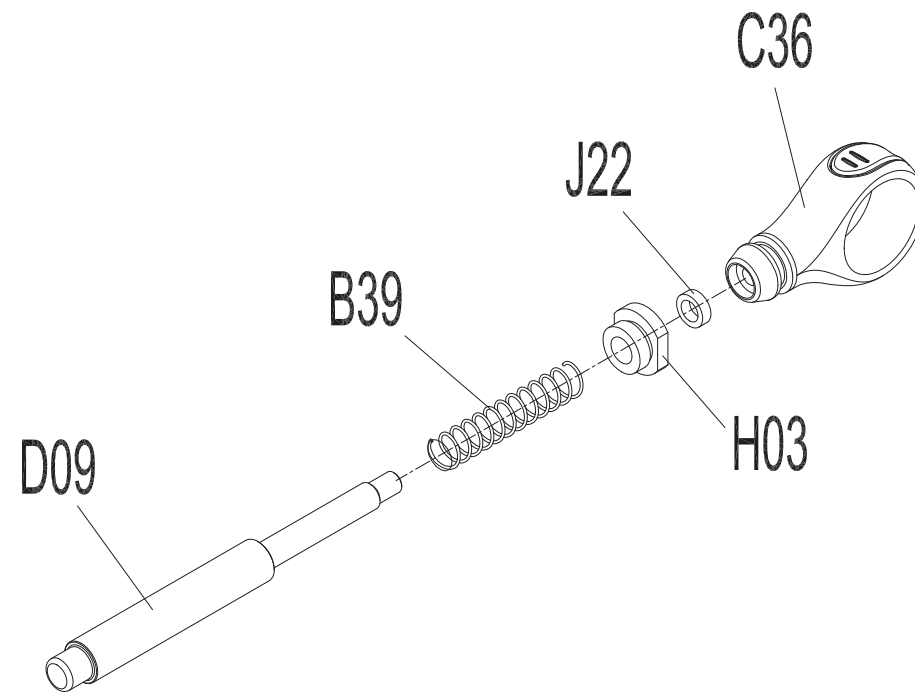


DRAWING NO	
PART NAME	<b>SENSE ORGAN SET</b>
PART NO	<b>1000200250</b> <span style="border: 1px solid black; padding: 2px;">REV A</span>
APPROVE	<b>JOHN</b> DATE <b>20120711</b>

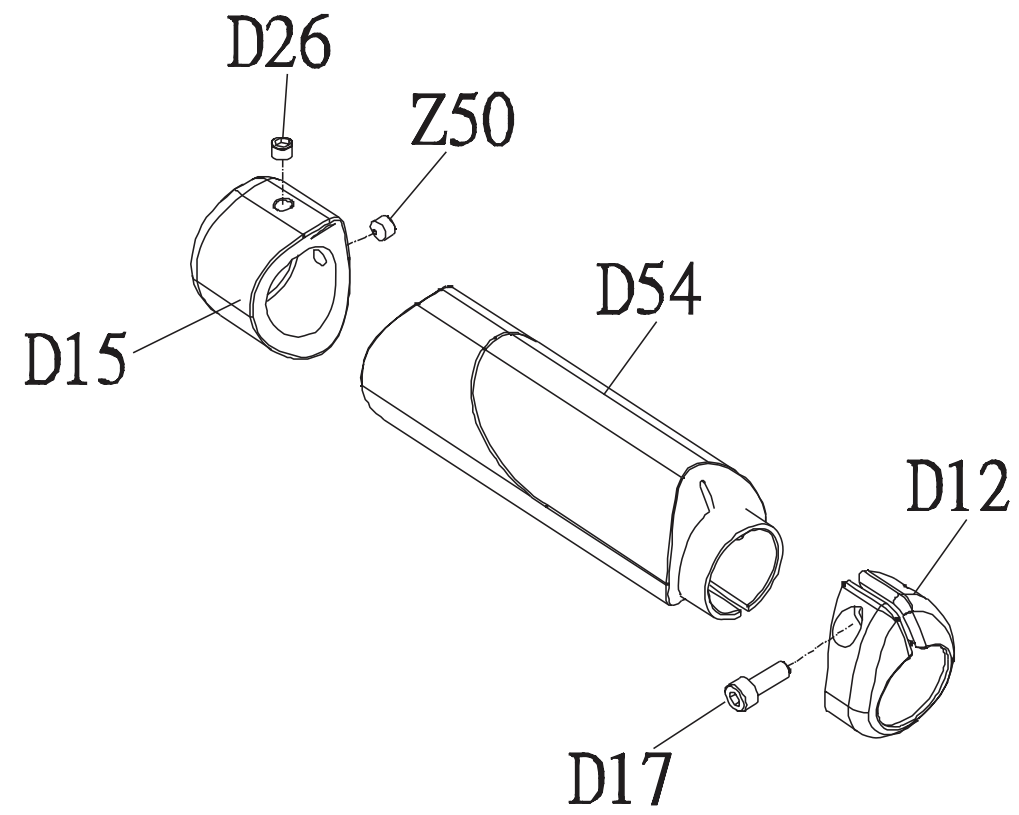




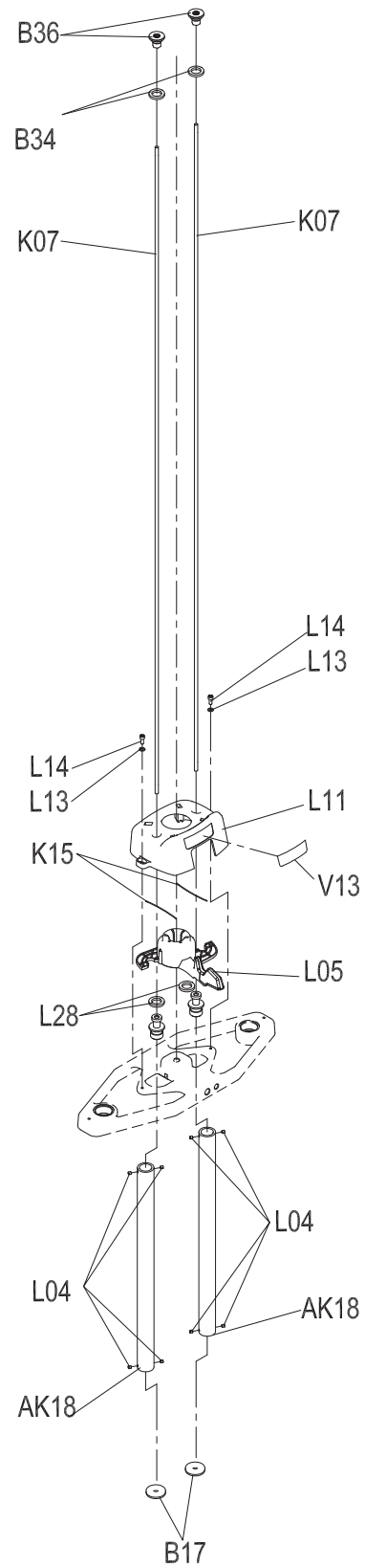
DRAWING NO			
PART NAME	Pull Pin;Premium		
PART NO	1000219087	REV	A
APPROVE	<b>CINDY</b>	DATE	2012106



DRAWING NO			
PART NAME	Handle set;Arm;GM42		
PART NO	096179 <span style="float: right;">REV A</span>		
APPROVE	JOHN	DATE	20120719



DRAWING NO			
PART NAME	Assistant weight Plate Set		
PART NO	1000113110	REV	A
APPROVE	CINDY	DATE	2012114



Bubble#	OEM Number	Description	Notes
1	1000228771	FRAME SET SA - GM73### - -	
10	1000113110	Assistant Weight Plate Set GM59-KM	Kit works with both light and heavy weight plate stacks. // Incremental Weight Plate Set
2	1000228772	USER FRAME SET SA - GM73 ## - -	
3	1000228773	PEDAL ARM SET SA - GM73 ## - -	
4	1000306602	Pull Pin Set FW210-KM assembly	Order Kit 8 for Premium.
5	1000219389	PREMIUM LEVEL SA - GM73 - -	
5	1000207217	Wps Superstratum GM59	
6	1000220477	PREMIUM - SHIELD SET U GM59 -	
7	1000200250	PREMIUM - REP COUNTER	
8	1000226576	PREMIUM - PULL PIN SET GM61 TWO	Premium version of Kit 4.
9	1000108698	PREMIUM - Grip Set Arm GM42	
AG1	1000228776	DISASSEMBLY CONNECT SET SA U GM73 ## - -	
AG2	1000228777	DISASSEMBLY CONNECT SET SA D GM73 ## - -	
AG3	1000228774	PEDAL SET SA - GM73 ## - -	
AH04	1000102057	Support Set Chest Pad Welding GM55	
AK13	1000215667	Weight Plate axle sleeve - Extrawork,10LBS GM	10lb plate
AK18	1000207211	Wps Set Assistant GM59	
AK21	1000207218	Wps Set Superstratum Paint GM59	Kit works with both light and heavy weight plate stacks.
AZ2	1000227612	SUPPORT SEAT SET SA - - - -	
B06	1000303546	Plastic Pad Foot Pad - PP BL427	
B10	1000230611	SUPPORT PLATE WHEEL SPHC CHM GM59	
B12	1000200716	ELASTOMER WEIGHT RUBBER GM61	
B13	1000221624	BLOCK - - PAINTING - - -	
B16	1000393987	Sleeve CON Tube painting Iced Sliver G	
B17	1000112984	Elastomer Assistant Weight Plate GM59	
B32	1000096026	Fixing Base Sensor ABS GM40	
B34	1000215843	PLASTIC PLATE FRAME CR -	
B35	1000204728	FIXING PLATE ROPE WHEEL SPHC GM59-KM	
B36	1000215844	Guide Rod fitting, Chromed	
B38	1000230891	SCREW SET M10X1.5PX65L FLATHEADED HS C	
B39	1000393222	Spring Compression 1.3x12.7x38Lx7 SWP	

B46	020096-00	Screw Hex Socket Round M8x1.25Px15L Chromed
B48	005144-AC	Washer Flat 10.2X35.0X2.0T Chromed
B76	1000233200	PLASTIC COVER NBR BL
C13	049288-AB	WASHER FLT Diam.10.5XDiam.20.0X2.0T CHM
C21	1000098051	Bearing Cover Base ABS GM40
C26	009371-E	Cap Grip GM03 Adjustment Grip Set - APPLY RED LOCTITE TO PIN THREADS
C36	096165	WHEN INSTALLING REPLACEMENT HANDLE
C37	1000207249	PLASTIC COVER - ABS 40X80
C47	1000205448	PLASTIC COVER - - - GM59
C51	020126-DB	Screw Seat Stopper M8x1.25Px20L
D07	1000210427	FOAM ELASTOMER Diam.60X8TX494L GM73 PEDAL
D12	096208	Adjustment Handle Lower Stopper Ring
D15	096209	Cap Grip Pedal Arm ADC12 GM42
D17	1000108801	Screw RND M5x0.8Px15L HS CHM BP G8.8
D21	009356-B	Stopper Mast Foam AL6061 GM03
D23	1000217980	GRIP - EPDM GM69
D26	020329-00	Set Screw M6X1.0PX12L
D35	1000219411	PEDAL - D PAINTING - - GM73
D56	1000205039	PLASTIC PAD PEDAL RUBBER 7547 GM64-KM
F05	1000490015	Steel Rope-Extrawork Press Rope Hand D
F14	1000300002	Fixing Cap Guide Rail PP BL/Black C 18x
F40	073573	Pulley 115mm
G67	1000215741	FIXED SET - RD PAINTING - - GM63
H01	1000487589	Stopper Block SBR BL/Black C FW202
H03	1000102675	Stopper Block Pull Pin GM43
J02	1000441318	Cover1 Chest Pad ABS/PA757 Deep Grey Pa
J14	1000111093	Sleeve Adj Tube GM55-KM
J15	1000102686	Cap End ADJ Tube GM43
J51	1000094941	Chest pad Black Vesicant GM43-KM
K06	1000113106	Tightwire Fix Pin 45# GM59
K07	1000113102	Guide Rod SUS304 Diam.6X1421.7 GM59
K15	1000204997	Steel Weight Plate Up 1080 Spring Steel
K17	1000202352	Cushion Guide Rod

K37	1000209625	GUIDE ROD 45 - WEGHT PLATE
K38	1000102915	Circlip E Type E-15 Cr Plate
K42	1000215659	BUSHING GUIDE ROD POM
K44	1000102912	Circlip External C Type S-30 BED
K47	004945-00	Nut Nylon M12x1.75P Chromed
L04	1000210485	SCREW SET M5X0.8PX6L FLAT POINT HS G8.8
L05	1000200264	GRIPE ABS+TPR GM59
L10	1000201802	PULL PIN SET WPS GM62 -
L11	1000207213	COVER INCREMENTAL WEIGHT ABS - - -
L13	070571	Washer Flat 5.2X10.0X1.5T CHM
L14	1000108801	Screw RND M5x0.8Px15L HS CHM BP G8.8
L15	1000209576	PLASTIC BASE MAGNET ABS FIXING
L28	1000224913	Cushion Aaw Nbr BI
L31	1000232864	PERMANENT MAGNET - 1500## ##
L56	084241	Screw Set M6X1.0PX5L BP POT
N61	1000229510	WIRE DISPLAY BOARD -- OKI HARBOR 2.5-
N62	1000096575	Overlay Manipulate GM40
Not Shown	ZMS4003251	Decal, QR, VS-S78 Glute
Q01	1000113113	Cover Up ABS GM59
Q02	1000113114	Cover Front Clarity ABS GM59
Q07	1000209577	PLASTIC BASE REP COUNTER - FIXING
Q09	1000209593	END CAP ACCENT
Q10	1000224767	Plastic Cover - - PP - - - -
Q12	1000209591	PLASTIC BAR - PVC - LABEL
Q13	1000303486	Clamp Cover -
Q21	089358	Cover Pulley GM27
Q25	001405-A	End Cover 60
Q42	ZMS4001255	Battery, AA for console
Q44	001679-00	Tie Strap Adhesive Nylon 66 HC-101 W
Q45	005811-00	Cable Tie Nylon Black 160L
V01	1000223274	INSTRUCTIONAL LABE - - - FRONT GM73
V02	1000223275	INSTRUCTIONAL LABE - - - REAR GM73
V03	1000215718	SPEC LABEL 10 LB WEIGHT PLATE BLACK PC
V05	1000215704	MARKING GM59-KM

V13	1000221799	DIRECTION LABEL AAW - PC -
V23	1000110206	Decal Chest Pad ADJ GM55-KM
Z01	004079-A3	Ball Bearing 6006ZZ 30X55X13T TPI
Z02	0000086517	Screw Round Hex Socket M10x1.5Px25L
Z03	1000105174	Nut Nylon M10x1.5P G12.9 CHM
Z04	1000231572	SCREW SH M10X1.5PX20L HS BP CHM
Z06	1000104707	Screw Hex Socket Round M8x1.5Px125L Adh
Z07	098577	SCREW HEX M8X1.25X35L
Z09	004549-00	Screw Hex Socket Round M10x1.5Px55L Cr
Z10	004929-00	Nut Nylon M8x1.25P Chromed
Z11	005145-AC	Washer Flat 8.2x19.0x2.0T Chromed
Z12	004696-AB	Screw TH M8x1.25Px20L Hex Socket Chrom
Z13	004561-00	Screw Plain Hex Socket M8x1.25Px20L
Z21	005138-A	Washer Flat 10.2x25x1.5T Chromed
Z23	020196-A	Screw Phillip BH Tapped 3x6L Zn-BL
Z24	004870-00	Screw Plain Tapping Rail Lock 5x15L
Z25	020465-AB	Washer Flat M10.2X25PX2.0T Chromed
Z27	020081-00	Screw SH M8X1.25PX60L HS G12.9
Z30	1000386527	Screw Set Screw M10X1.5PX10L Hex Socket
Z44	1000104672	Screw BH M5x0.8Px10L HS CST CST CST CHM
Z50	004855-AC	Set Screw M6X1.0PX4L
Z53	005047-00	Washer Flat 8.2x20x1.8T Black Zinc
Z66	040816-A	Screw Phillip BH Tapped 3x8L
Z71	1000097206	Screw SH M8X1.25PX25L HS CHM BP

10	or components separate	Assistant Weight Plate Set GM59-KM
AB1	Part of Kit 1	FRAME WELDING SET -- PAINTING -- GM73
AC1	Part of Kit 2	BASE SET -- PAINTING -- GM73
AD1	Part of Kit 3	PEDAL ARM -- PAINTING -- GM73
AK21	Part of Kit 5	Wps Set Superstratum Paint GM59
C16	See Pad Matrix	Hand pad Black Vesicant GM48-KM
D09	Part of Kit 4 or 8	AXLE 45 CHM PULL PIN 1 GM61
D54	Part of Kit 9	Grip Pedal Arm wrap rubber GM42-KM
J22	Part of Kit 8	RING SPHC PULL PIN

Kit works with both light and heavy weight plate stacks.

J23	Part of Kit 4	Pull Pin Handle TPP ORANGE GM59	
J26	See Pad Matrix	Wear Cover	New - Summer 2022
Not Shown	1000218756	Hardware Kit	
Q06	Part of Kit 10	PLASTIC PAD DISPLAY TPE	
Q08	Part of Kit 10	RenderingPLASTIC COVER COUNTER TPR	
Q11	Part of Kit 6	GRIPEND TOP COVER - - - ADC12	
Q14	Part of Kit 10	PLASTIC BASE COUNTER TPR GM59-KM	
Q40	Part of Kit 10	UCB Matrix GM40 H102S1.60	
Q48	Part of Kit 10	Fixing Base PC GM40	
4	1000210472	PIN SET SA #ADJUSTABLEVALUE LINE# GM73	Discontinued - Order Kit 8 for Premium.
8	1000219087	PREMIUM - PIN SET SA - GM73 - -	Discontinued - Premium version of Kit 4.
8	1000201814	PREMIUM - Pin set SA ADJUS LEG PAD	Discontinued - Premium version of Kit 4.
B16	098979	Sleeve CON Dode Peadel Arm 45# GM40	Discontinued
B18	1000102593	Stopper Plate Pulley Painting GM40	Discontinued
B39	005485-E	Spring Stretch SWP	Discontinued
F05	1000210425	STEEL ROPE Diam.4.8X3661L GM73	Discontinued
G67	1000226805	FIX SET SA GM63 SERVE	Discontinued
H01	090440	Stopper BlockRubber GM30	Discontinued
J02	1000099592	Fixing Base Chest Pad GM43	Discontinued
Q13	1000209592	CLAMP COVER TINNERMAN D43806-014 - - -	Discontinued
Z11	005040-AB	Washer Flat 8.4X15.5X1.6T	Discontinued
Z21	005138-ZA	WASHER FT 10.2X25X1.5	Discontinued